

SENSIT[®] VMD
VEHICLE METHANE DETECTOR



Conduct leakage surveys on underground natural gas piping systems fast, efficiently and accurately with the latest in open path infrared technology.

MADE IN THE USA
WITH GLOBALLY SOURCED COMPONENTS



Innovative Detection Solutions

www.gasleaksensors.com

SENSIT[®] VMD

Conduct mobile leak surveys fast & accurately with the latest infrared technology.

SENSIT[®] VMD is a state-of-the-art vehicle mounted instrument used to detect, grade and map gas leaks along underground pipelines.

SENSIT[®] VMD is among the best performing and lowest cost optical instruments available today!

The instrument detects methane as low as 1ppm, per meter for real-time detection and logging with GPS data compatible with Google Earth.

Turn any vehicle with a front hitch into a survey instrument!

SENSIT[®] VMD is

- Accurate
- Durable
- Easy to Use
- Easy to Maintain



Find Gas Leaks Fast!

Standard Features

- Methane Selective
- Instantaneous response time
- No cables through vehicle firewall
- Data transmission via Bluetooth
- Simple user interface
- Waterproof tablet computer
- Adjustable visual and audible alarms
- Integrates with SENSIT PMD vacuum system
- Lowest cost of ownership



Displays:

- Gas Concentrations
- System Status
- GPS Location
- Detection Alarms

Other:

Simple 2 inch front mount hitch for fast set-up.



Any vehicle with front mount receiver and 12 VDC power outlet/connection can become a survey vehicle in minutes.

Variable length detector system can be fitted to any vehicle specification.



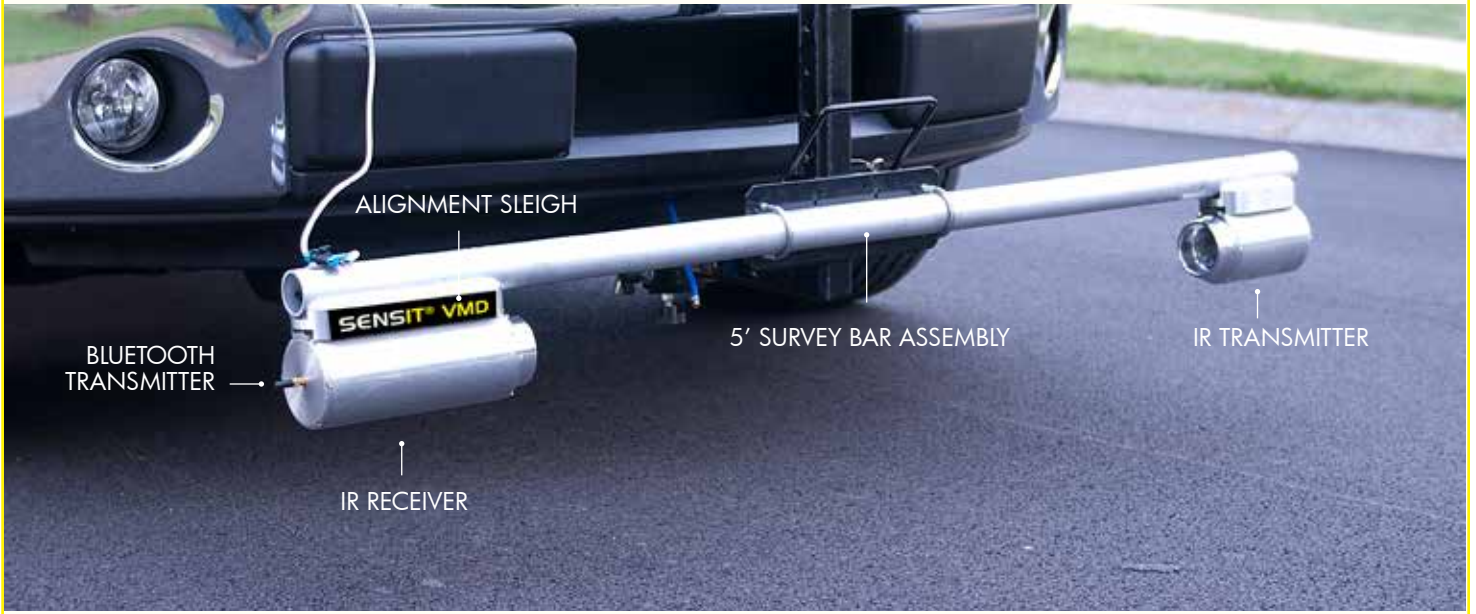
Ready for road and off-road surveys.



Designed for easy installation and portability.



Adjustable height for safe driving speeds.



SENSOR SPECIFICATIONS

TYPE	RESOLUTION	RANGE	ACCURACY
PPM*	0.1ppm	1.0-1000 PPM /Meter	±10% 2ppm-m

*Measurements conducted at 25 mph

STANDARD KIT

- 5 Ft. Survey Bar Assembly with Transmitter and Receiver
- Tablet PC
- Bluetooth Interface
- GPS Interface
- Calibration Cell

OPTIONAL FEATURES

- VMD Vehicle Mounting Kit
- VMD Shield
- PMD Vacuum Kit
- PMD Vacuum System



VMD Shield



Vehicle Mount Vacuum + Optical Systems

PRODUCT SPECIFICATIONS

Size: 4 ft. to 8 ft. path length (5 ft. Standard)

Weather Resistance: IP 54

Operational Temp: -22 to 122° F (-30 to 50° C)

Power Requirement: 12-16 VDC / 60w

SENSIT® VMD Instrument

SENSIT VMD Part #928-00000-05

Included: 5 Ft. (Standard) Survey Bar Assembly with Transmitter and Receiver, Tablet PC, Tablet Mounting Kit, Bluetooth Interface, GPS Interface, Calibration Cell

SENSIT VMD SYSTEM Part #928-00000-50

Included: Vehicle Mounting Kit, VMD Shield, 5 Ft. (Standard) Survey Bar Assembly with Transmitter and Receiver, Tablet PC, Tablet Mounting Kit, Bluetooth Interface, GPS Interface, Calibration Cell

SENSIT® VMD Parts

5 Ft. Survey Bar Assembly Part #882-00105

IR Transmitter Assembly Part #882-00090

IR Receiver Assembly Part #882-00084

Bluetooth Antenna for VMD IR Transmitter Part #360-00446

VMD Tablet PC Part #360-00395

Bluetooth Antenna for VMD Tablet Part #360-00482

GPS Antenna for VMD Tablet PC Part #360-00471

VMD Tablet PC Mount Kit Part #870-00074

VMD Tablet PC Mount Base w/2" Ball & Clamps Part #360-00473

VMD Tablet PC Mount Arm Part #360-00474

VMD Tablet PC Mount Plate Part #360-00475

VMD Calibration Cell Part #882-00092-SN

VMD Shield Part #870-00076

Instruction Manual Part #750-00064

Survey Bar Lengths

4 Ft. Survey Bar Assembly Part #882-00104

5 Ft. Survey Bar Assembly Part #882-00105

6 Ft. Survey Bar Assembly Part #882-00106

7 Ft. Survey Bar Assembly Part #882-00107

8 Ft. Survey Bar Assembly Part #882-00108

Vehicle Mounting Kit

VMD Vehicle Mounting Kit Part #870-00052

Included: Bar Bracket, L Bracket, Jam Bolt, Hitch Pin, Hitch Stabilizer
(For use with 2 inch front mount hitch, not included)

Mounting Kit Parts

Bar Bracket Part #360-00428

L Bracket Part #360-00427

Jam Bolt Part #360-00426

Hitch Pin Part #330-00078

Hitch Stabilizer Part #360-00429

PMD Vacuum Mounting Kit

PMD Sampling Bar Assembly 2" Boots Part #870-00059

Included: Bar, Cones, Tubing
(For use with PMD. PMD, External Pump, Floor Mount Bracket not included)

Vehicle Vacuum System Part #870-00057

Included: Bar, Cones, Tubing, External Pump, Floor Mount Bracket
(For use with PMD. PMD not included)



851 Transport Drive
Valparaiso, IN 46383-8432

Phone: 888 4SENSIT
888 473 6748
219 465 2700

Fax: 219 465 2701
www.gasleaksensors.com

MADE IN THE USA
WITH GLOBALLY SOURCED COMPONENTS

SENSIT Technologies
is in compliance with ISO 9001:2008



Distributed by:

